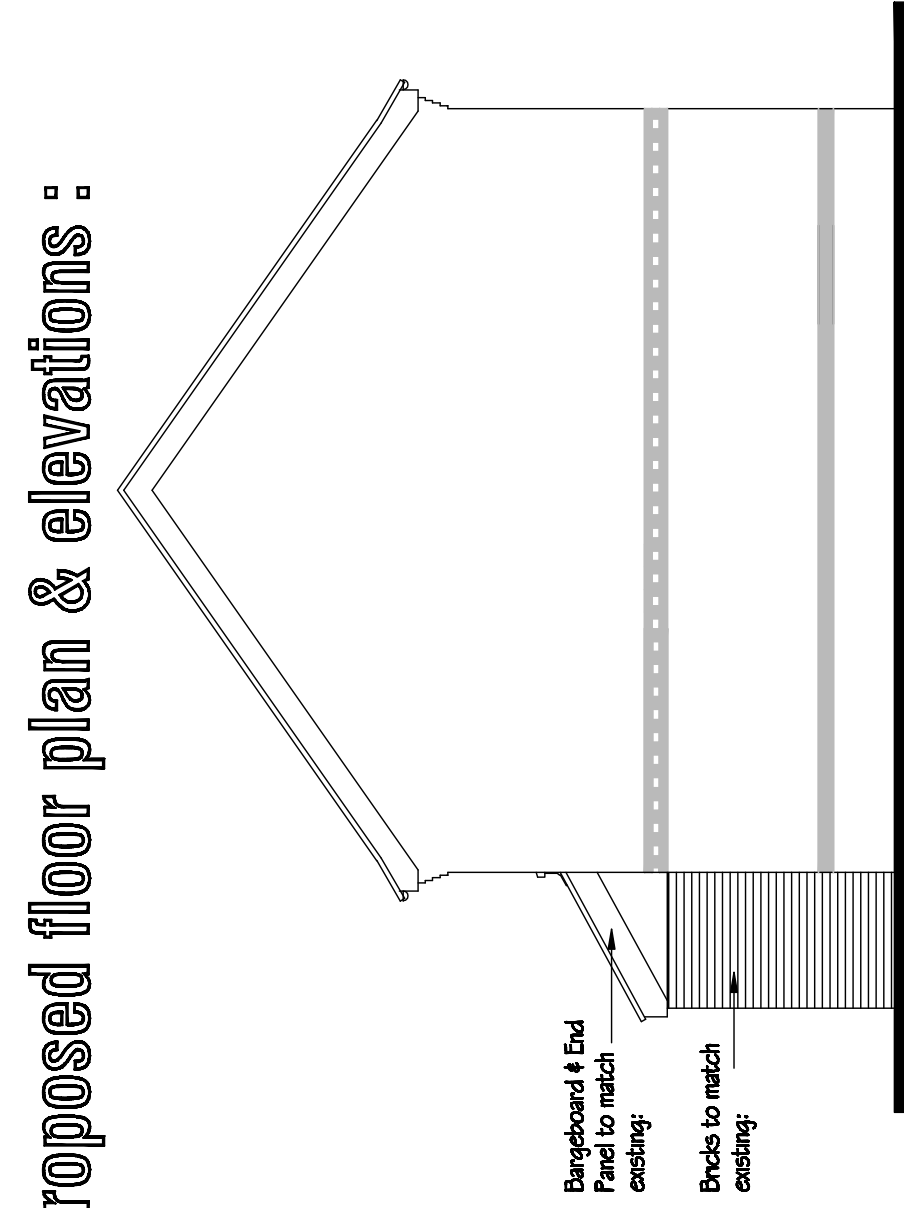
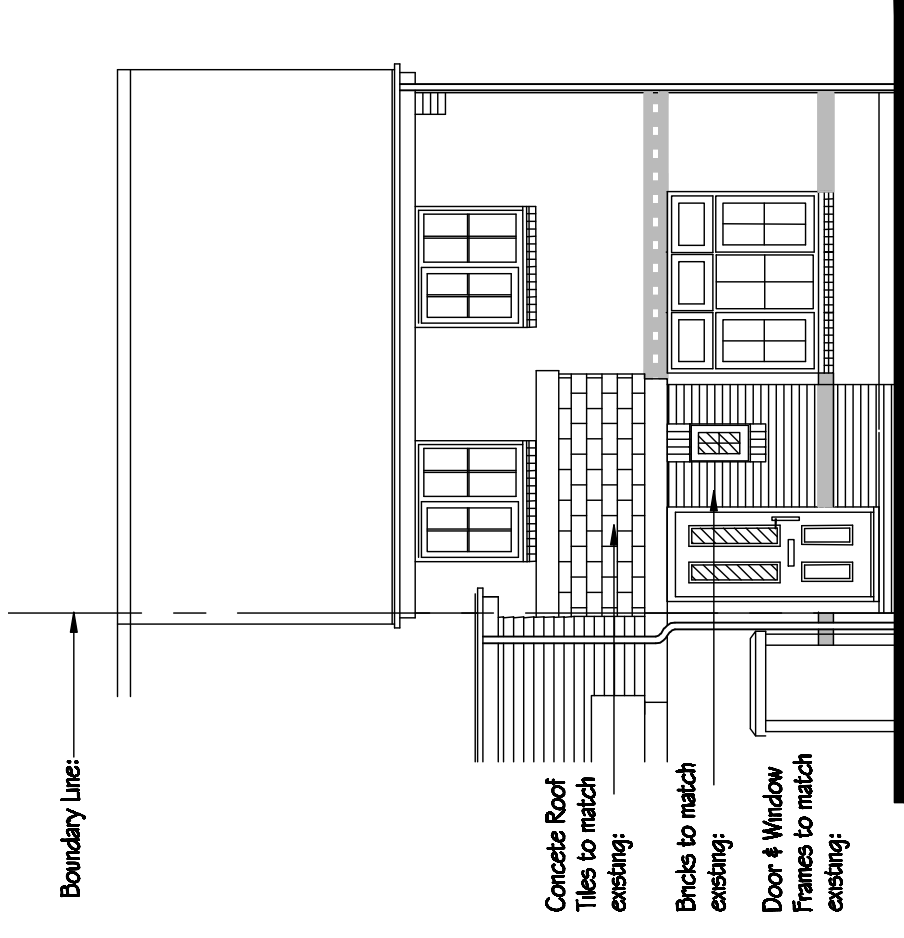


proposed floor plan & elevations :

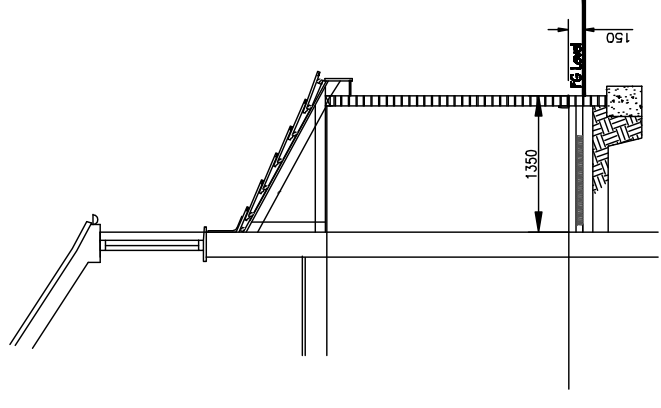
SHEET SIZE A3



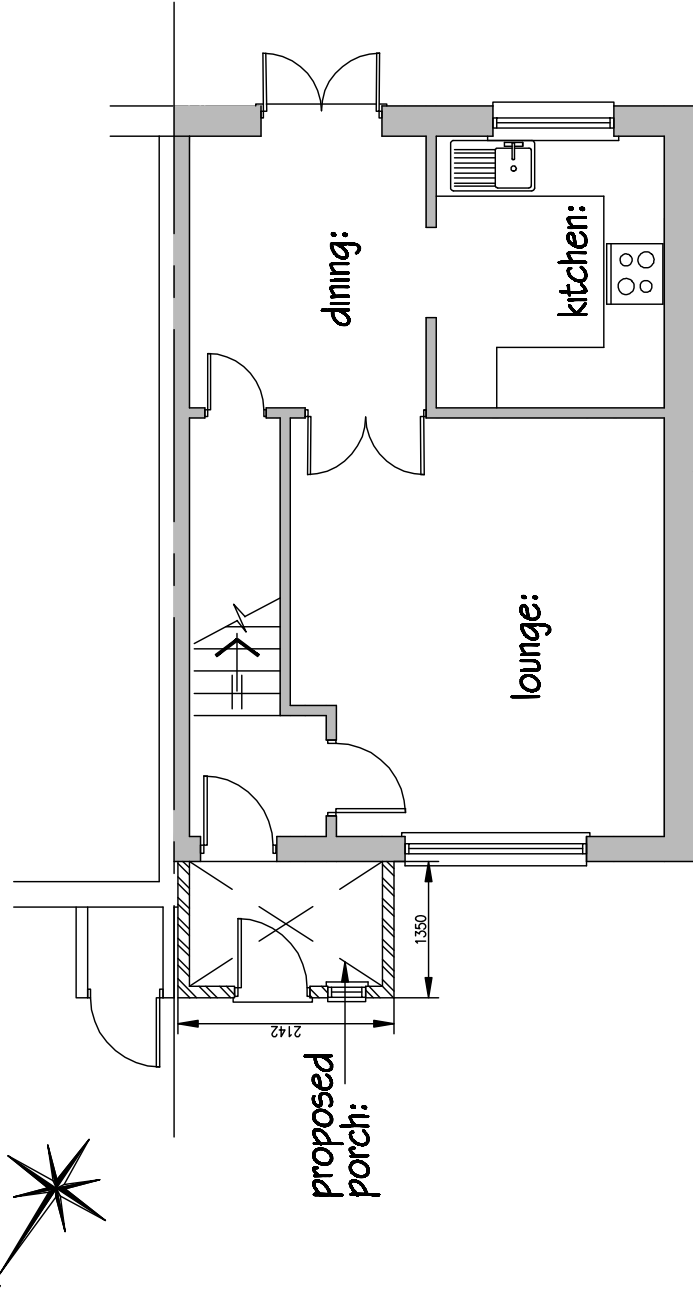
PROPOSED WEST ELEVATION scale 1 : 75



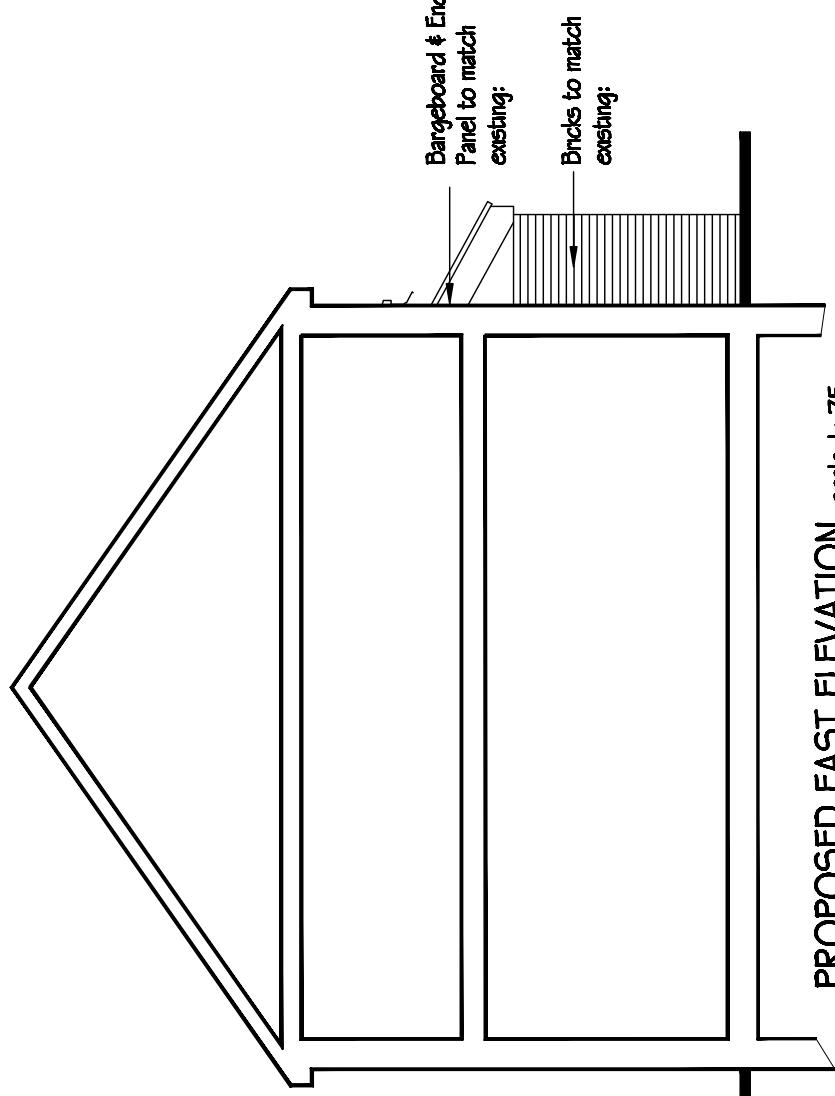
PROPOSED NORTH ELEVATION scale 1 : 75



PROPOSED SECTION



PROPOSED GROUND FLOOR PLAN scale 1 : 75



PROPOSED EAST ELEVATION scale 1 : 75

<small>DRAWING TITLE</small> Planning Drawing PROPOSED FLOOR PLAN ELEVATIONS & SECTION:	<small>PROJECT</small> Proposed Front Porch 1-4 Barn Piece, Knightwood Chandler's Ford SO53 4HP:	<small>CLIENT</small> Andreea Truta 1-4 Barn Piece, Knightwood Chandler's Ford SO53 4HP:
-----------------------------------------------------------------------------------------------------------------	-----------------------------------------------------------------------------------------------------------	---------------------------------------------------------------------------------------------------

<small>SCALE</small> 1 : 75	<small>DESIGNED</small> MB	<small>DRAWN</small> MB
<small>DATE</small> July 2021	<small>APPROVED</small>	<small>PLOTTED</small>
<small>JOB No.</small>		

<small>DRAWING No.</small> AT / 2021 / 02

