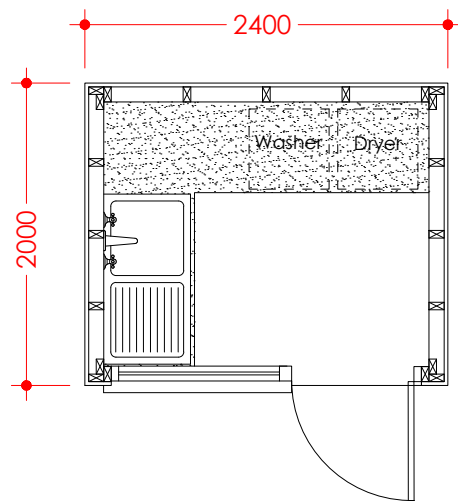
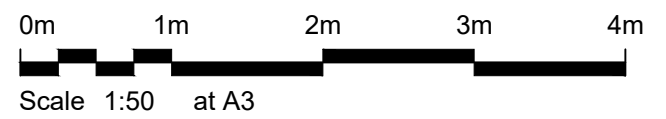


Front Elevation

Side Elevation



Floor Plan



drawing
DAYROOM / SHED

drawing no. TMA/881/B40 revision - scale 1:50 @ A3

client
MR HENRY AYRES
project
THE FIRS, SARSON LANE
AMPORT, ANDOVER
SP11 8DY

revisions
- ---

T M A
CHARTERED SURVEYORS - PROPERTY CONSULTANTS
THE GATEHOUSE 116-118 RAINSFORD ROAD
CHELMSFORD ESSEX CM1 2QL
TELEPHONE 01245 210060