

**CUSTOMER SUBSTATION
FOUNDATIONS & ELEVATIONS**

Boom Developments Ltd. Address
 Boom Developments Ltd.
 Unit 5E Park Farm
 Chichester Road
 Arundel
 West Sussex
 BN18 0AG

Project Address
 Land Between:
 Botley Road A27,
 Castle Lane &
 Misslebrooks Lane,
 SO52 9LY

Drawing Information

V No	Revision Note	By	Date
1.0	FINAL	SS	08/11/2023
1.1	Address Corrected	SS	15/11/2023

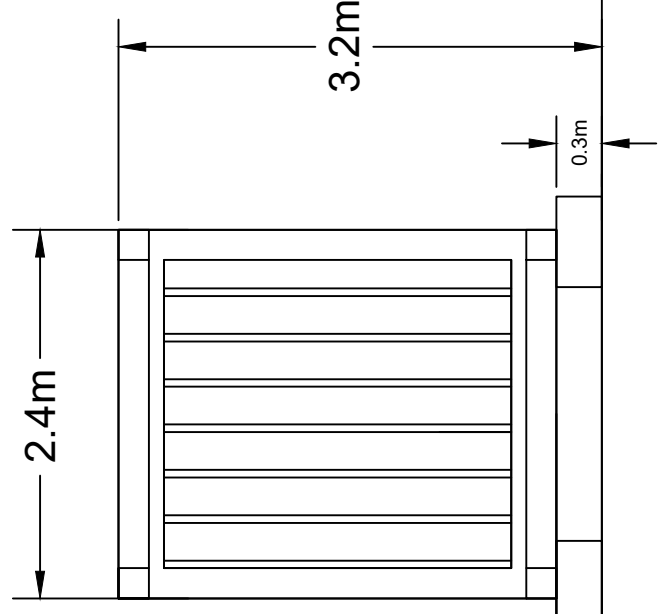
Drawing Information

Scale	1:50 @ A3
Stage	FINAL
Drawing Name	Customer Substation Foundations & Elevations
Drawing Number	B209
Designed By	Sam Smith

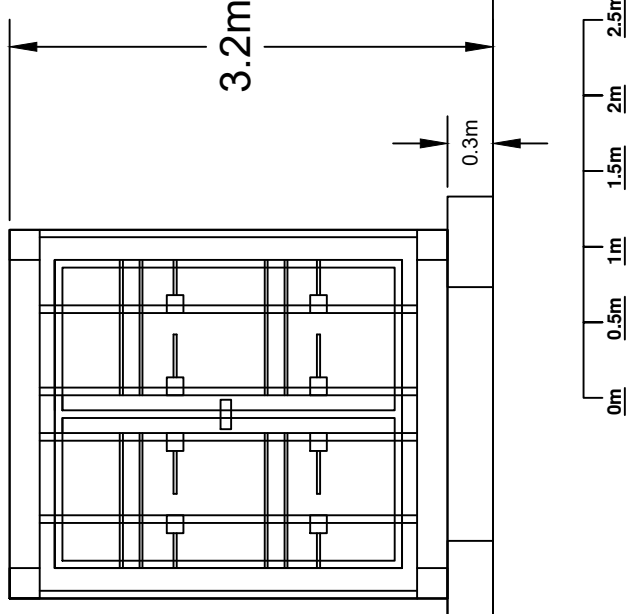


BUILD | OWN | OPERATE | MAINTAIN
 BOOM POWER.CO.UK

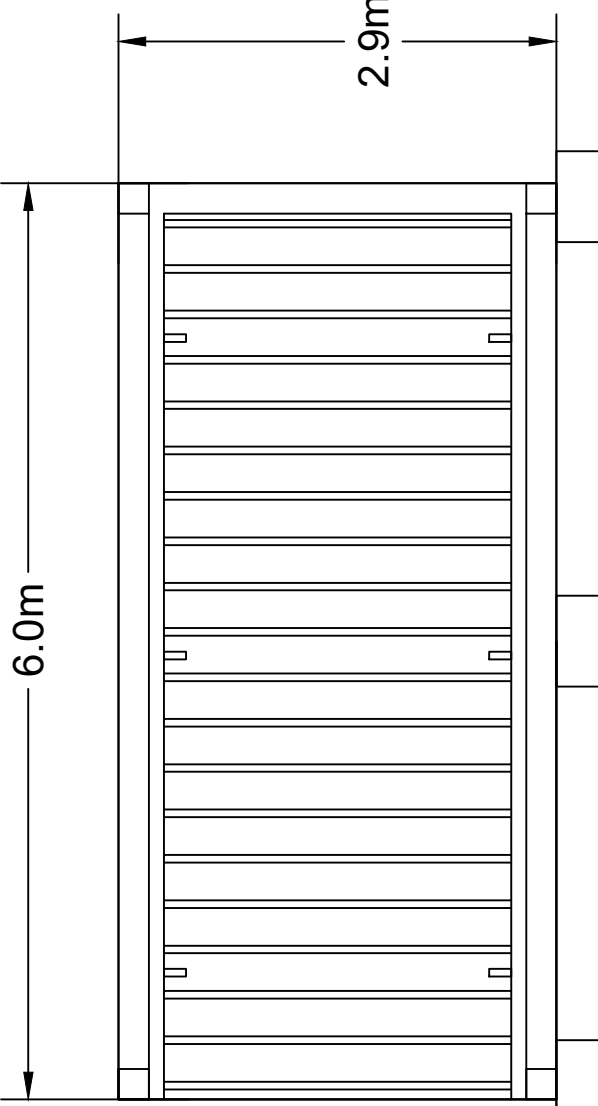
RIGHT SIDE VIEW



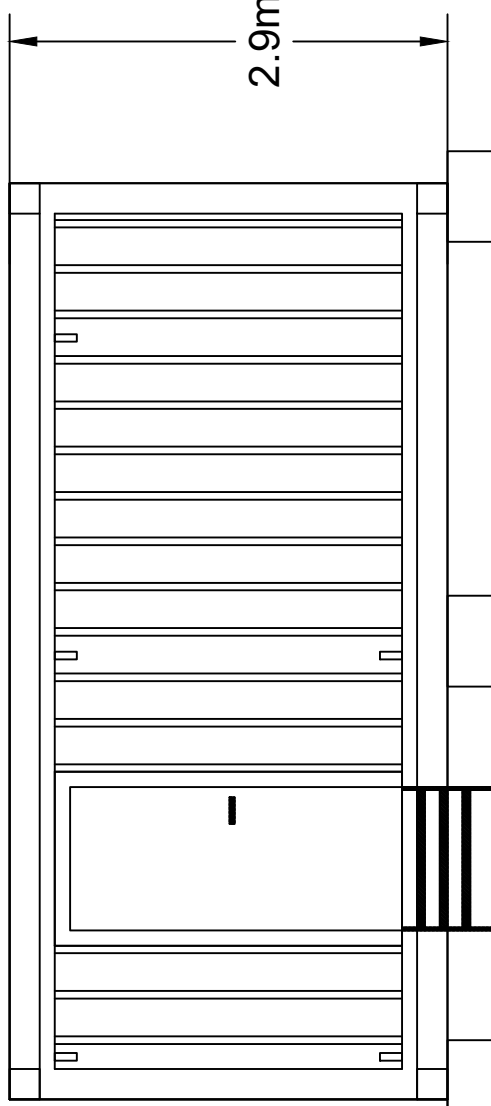
LEFT SIDE VIEW



REAR VIEW



FRONT VIEW



A B C D E F G H I J
 1 2 3 4 5 6 7 8 9 10