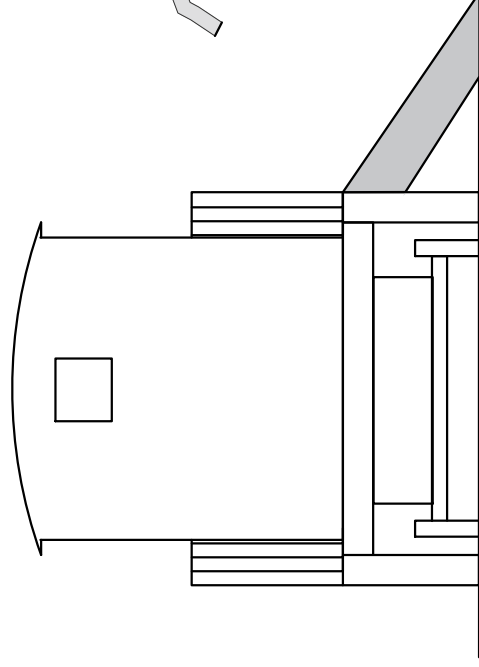
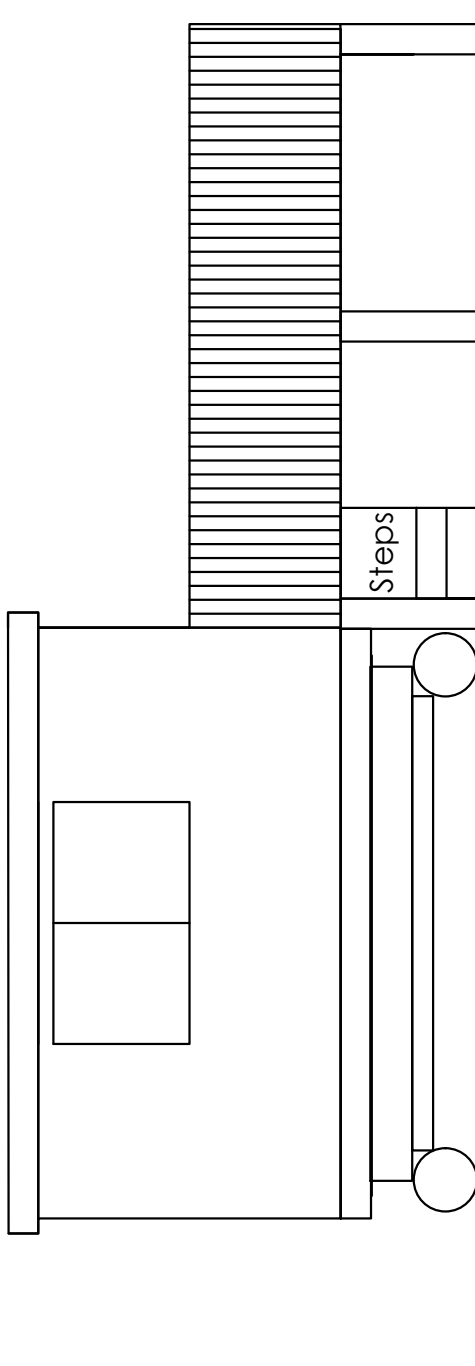


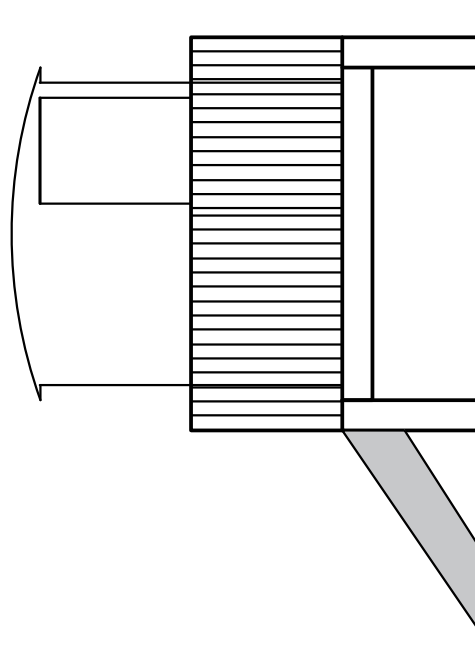
West elevation



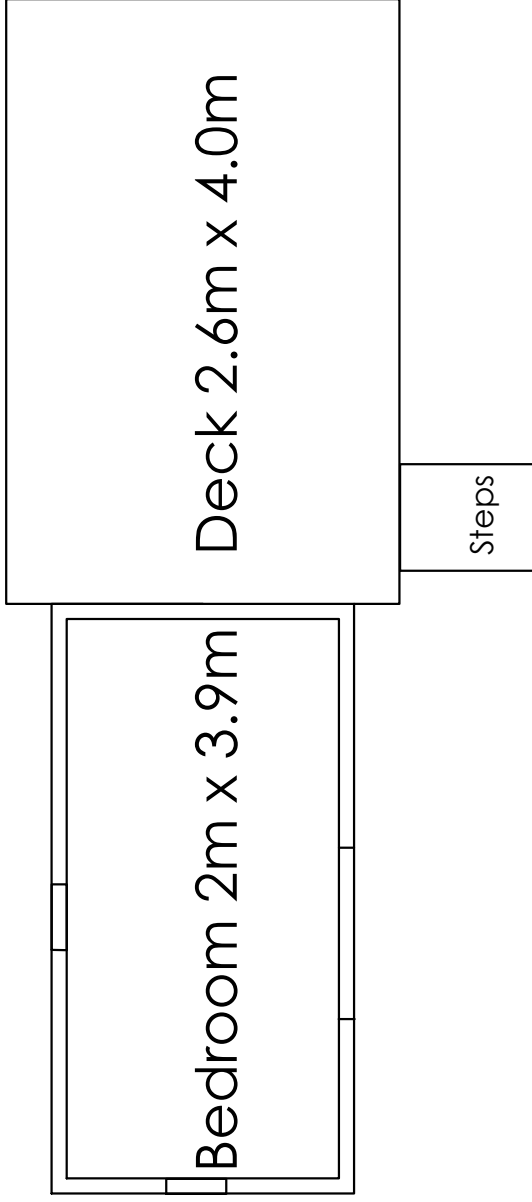
South elevation



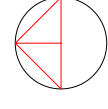
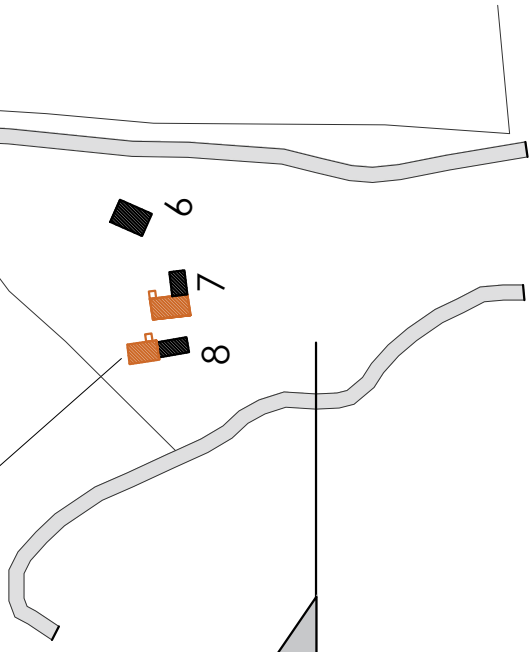
East elevation



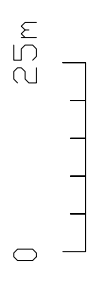
North elevation



STRUCTURE 8: Existing bedroom shepherds' hut



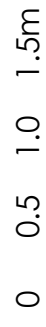
Scale 1:1,000 @ A3



The shepherds' hut was placed on this site since before Spring 2019 - see Statutory Declaration.
 It is fixed to ground by blocks and electric cabling and the deck.
 The deck was erected since before Spring 2019 - see Statutory Declaration.

See photographs that describe the siting with the backdrop alongside the former golf course fairway.
 It is connected to mains 240v electricity.
 It is a shepherds' hut that has been in the same location for more than 4 years. The deck has been in place for more than 4 years and is therefore now a lawful structure and immune from enforcement.
 It has been used as a seasonal bedroom by guests during the holiday letting season from the start April to end of September.

DATE	March 2023	TITLE	STRUCTURE 8: Existing bedroom s/hut
CLIENT	The Owners		
ADDRESS	Hilltop Farm		
1: 1,000 and 1:50 @ A3		DRAWING NO	BEN 4008
11/04/23		RG / PT	REV A



Scale 1:50 @ A3