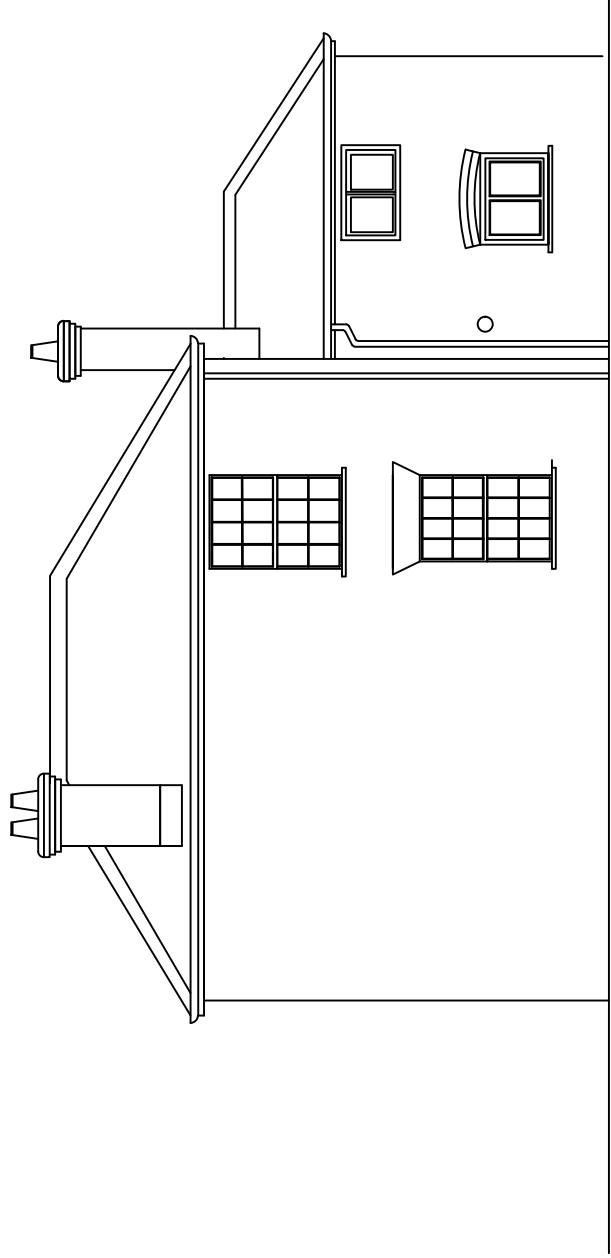
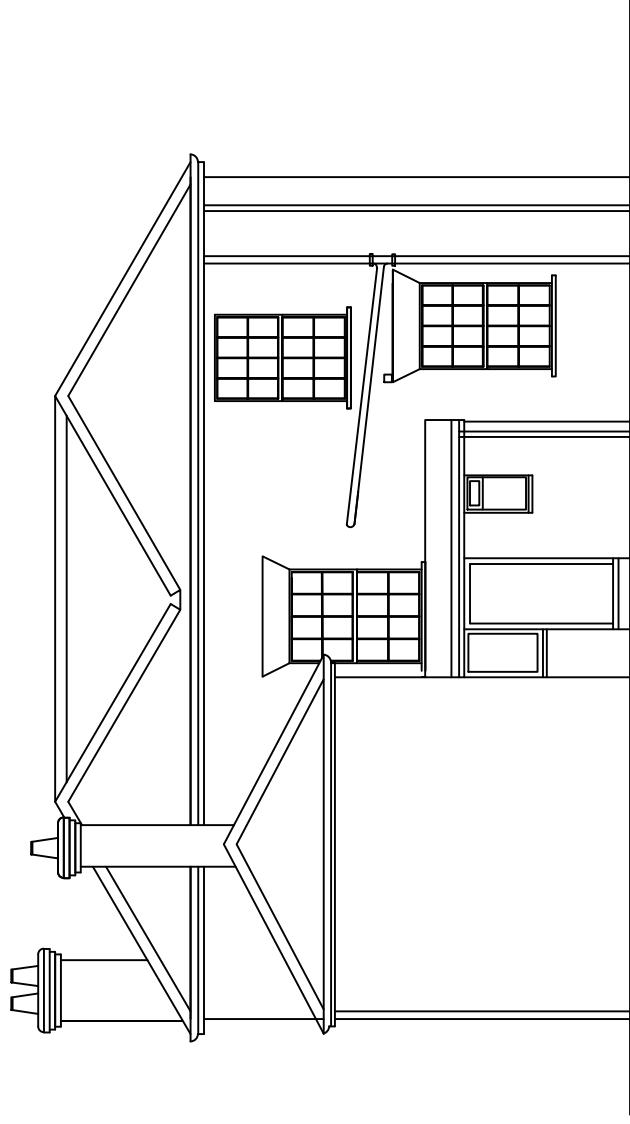


EXISTING SIDE ELEVATION

EXISTING FRONT ELEVATION



EXISTING SIDE ELEVATION



EXISTING REAR ELEVATION

0 m 5 m

8/4/2020 correction to roof plan / side elevations
 5/2/2020 new planning application incorporating pre app comments

ΩΦ Ltd

PROJECT TITLE
 ELM VILLA NURSING
 PROPOSED CONVERSION OF EXISTING DWELLING TO FORM 3 NO 2 BED DWELLINGS

DRAWING TITLE
 EXISTING ELEVATIONS

SCALE	DRAWN BY	DRAWN DATE	SHEET SIZE
1:100 @ A3	GW	Feb 2020	A3
XX	CHECKED BY	APPROVED BY	APPROVED DATE
XX	XX	XX	XX

DRAWING No. _____